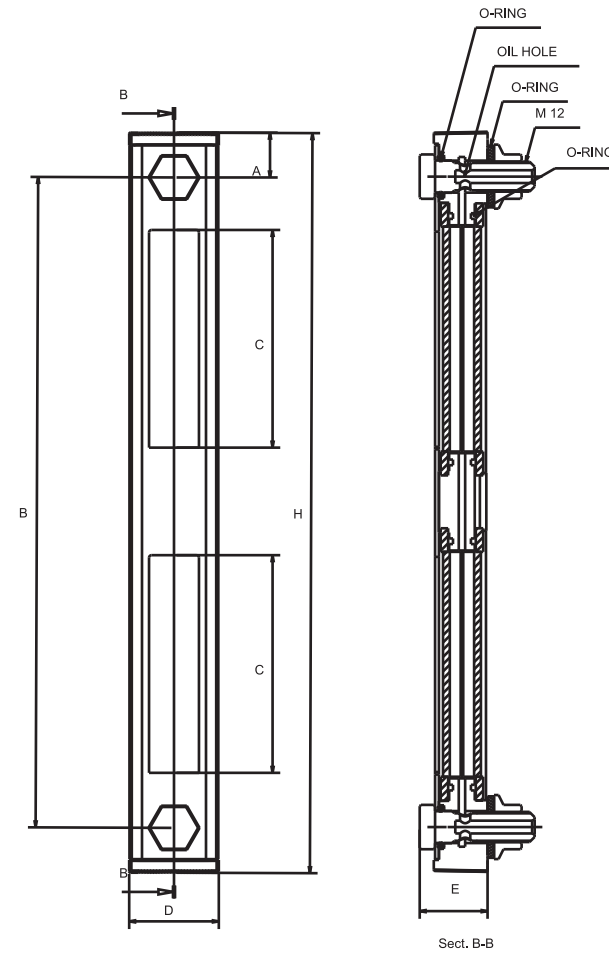


TYPE 1



TYPE 2

Temperature and Fluid Level Indicator								
CODE	A	B	C	D	E	H	M	TYPE
SGD 76 3"	17,5	76	35	35	26,5	111	M12	T YPE1
SGD 127 5"	17,5	127	85	35	26,5	162	M12	T YPE1
SGD254	17,5	254	85	35	26,5	289	M12	T YPE2