



REN2861  
March 1999

# Schematic

---

## **216 and 226 Skid Steer Loaders Hydraulic System**

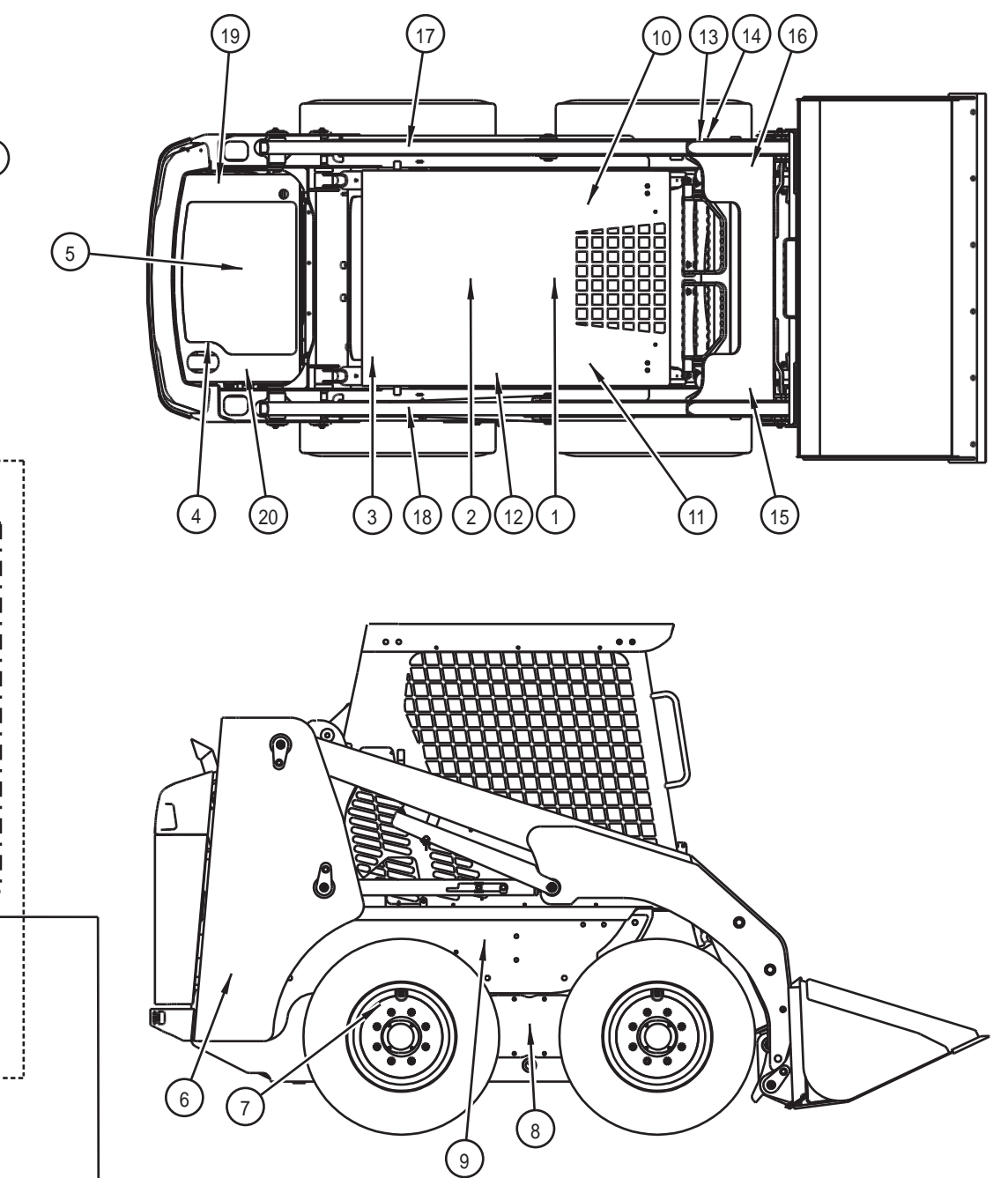
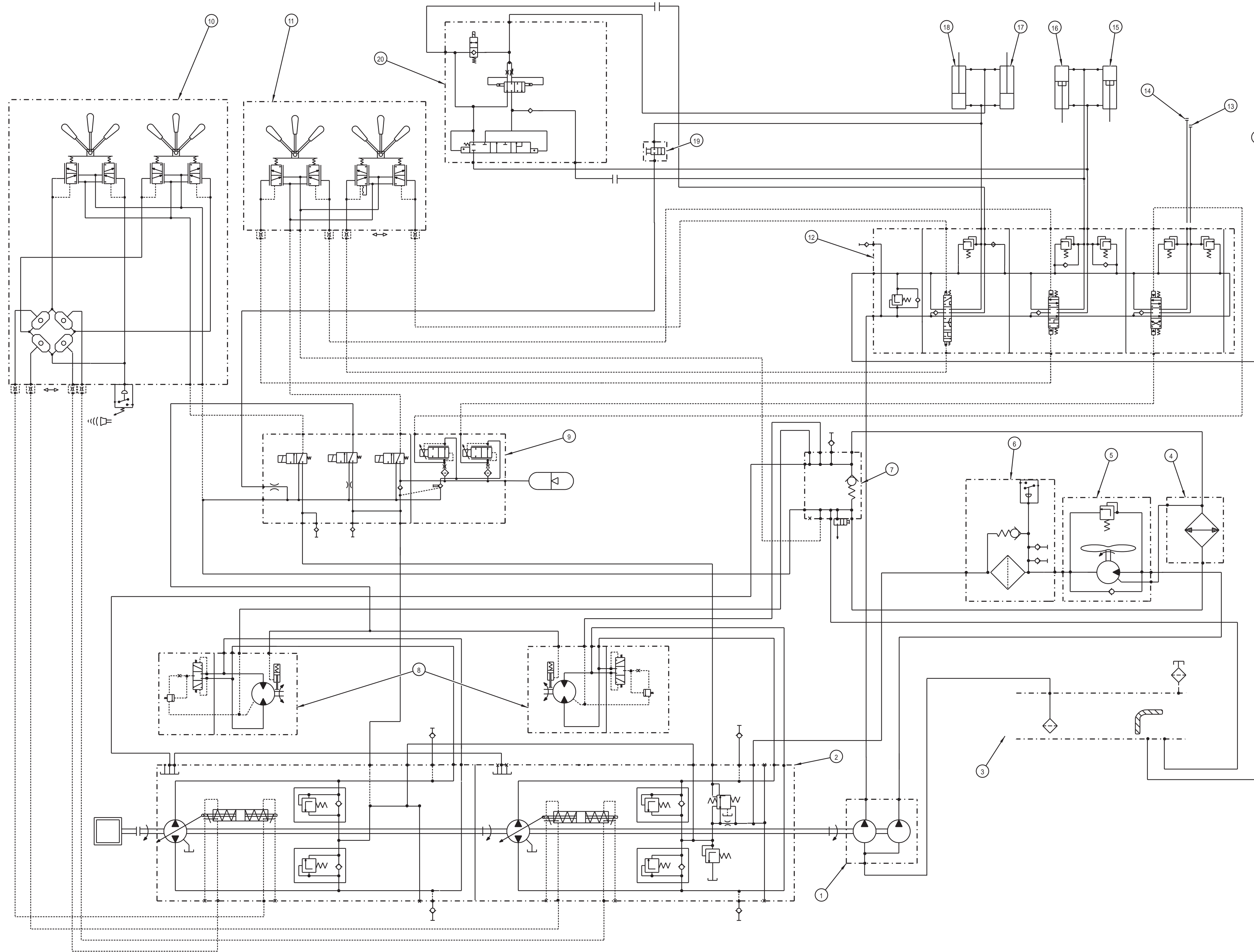
---

216 and 226 Skid Steer Loaders  
4NZ1-UP  
5FZ1-UP

---

© 1999 Caterpillar  
All Rights Reserved

Printed in U.S.A.



STANDARD COMPONENTS	
Item No.	Component
1	Gear Pump
2	Piston Pump (Hydrostatic)
3	Hydraulic Tank
4	Radiator and Oil Cooler
5	Fan Motor
6	Hydraulic Oil Filter
7	Return Manifold
8	Piston Motor (Hydrostatic)
9	Interlock Manifold
10	Joystick Control (Hydrostatic)
11	Joystick Control (Work Tool)
12	Bank Valve
13	Coupling
14	Coupling
15	Cylinder GP - Tilt
16	Cylinder GP - Tilt
17	Cylinder GP - Lift
18	Cylinder GP - Lift
19	Ball Valve
20	Diverter Valve