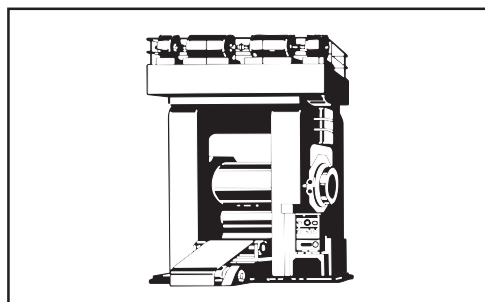
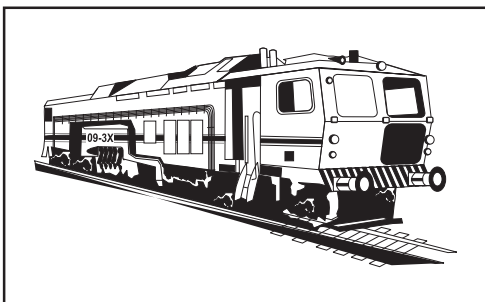
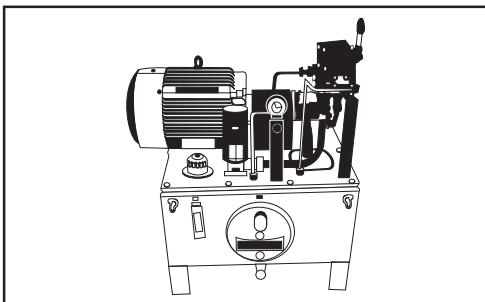
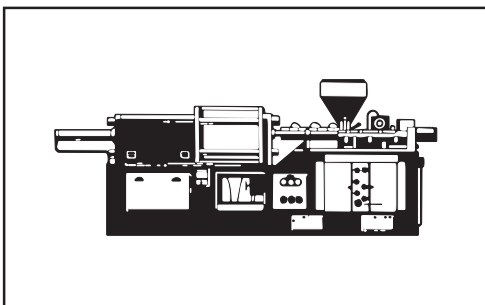


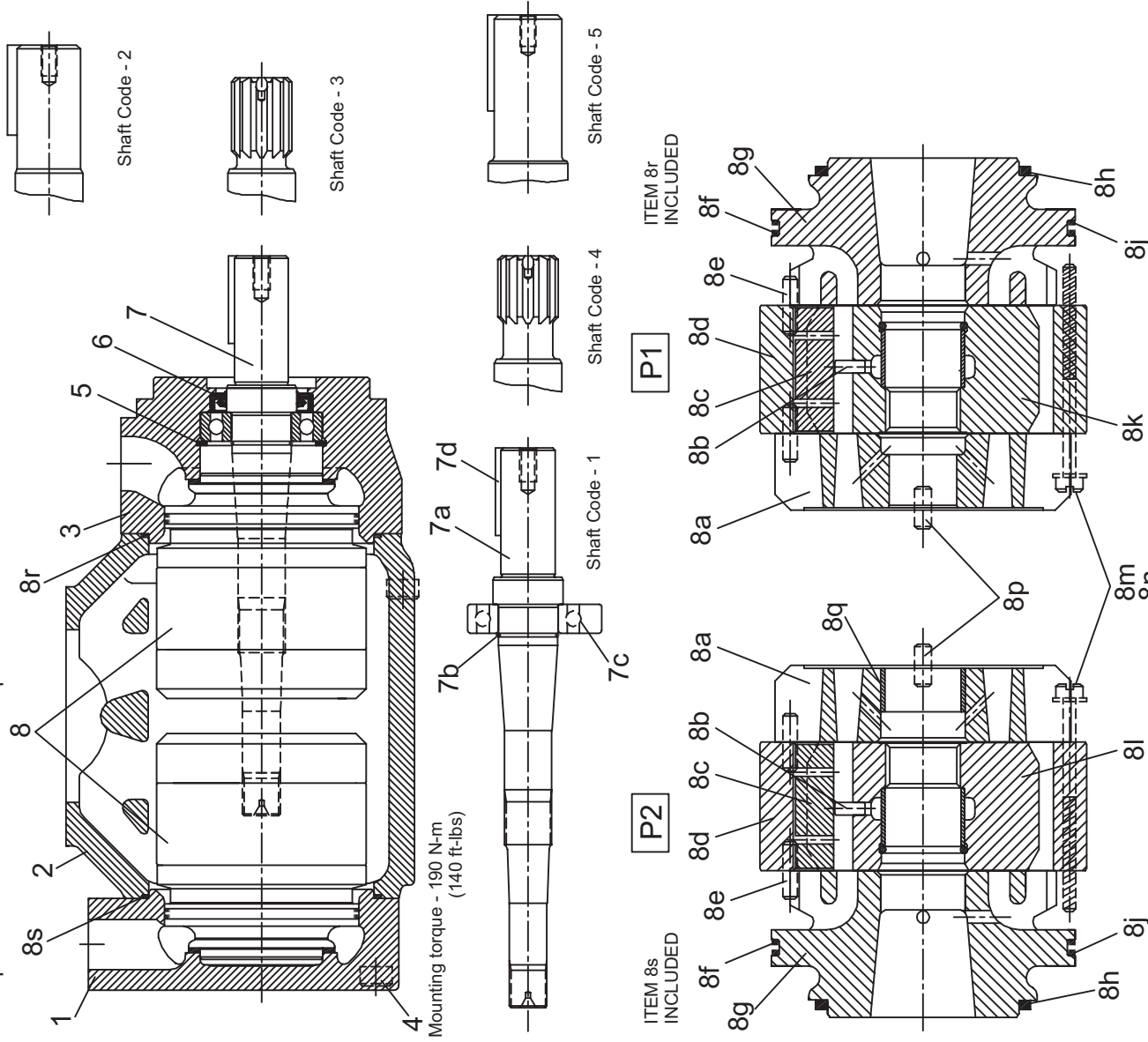


VT6DDS

Double vane pump



Bold printed are recommended repair kits and assemblies



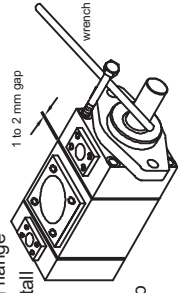
Item pos.	Description	Part No.	Qty
1	End cap (UNC)	V034-70275	1
2	End cap (Metric)	H-034-66894	1
3	Housing (UNC)	H-034-67341	1
4	Housing (Metric)	H-034-67340	1
5	Mounting flange (UNC)	H-034-67343	1
6	Mounting flange (Metric)	H-034-67342	1
7	Mounting Screw	V361-14324-3	8
8	Retaining ring	V356-32283	1
9	Shaft seal (S1-0.7 bar)	V620-82064	1
10	Shaft seal (S4-S5-7 bar)	V620-82072	1
11	Shaft and bearing ass'y (Code-1)	VS24-72352	1
12	Shaft and bearing ass'y (Code-2)	VS24-72353	1
13	Shaft and bearing ass'y (Code-3)	VS24-72354	1
14	Shaft and bearing ass'y (Code-4)	VS24-72355	1
15	Shaft and bearing ass'y (Code-5)	VS24-72356	1
16	Shaft keyed (Code-1)	H-034-67344	1
17	Shaft keyed (Code-2)	H-034-67345	1
18	Shaft splined (Code-3)	H-034-67347	1
19	Shaft splined (Code-4)	H-034-67348	1
20	Shaft keyed (Code-5)	H-034-67346	1
21	Round section ring	V034-70853	1
22	Ball bearing	V230-00207	1
23	Key code-1	V034-46754	1
24	Key code-2	V034-70330	1
25	Key code-5	V034-66980	1
26	Cartridge assembly 014 C.W. (P1)	VS24-40791	1
27	Cartridge assembly 014 C.C.W. (P1)	VS24-40792	1
28	Cartridge assembly 017 C.W. (P1)	VS24-63800	1
29	Cartridge assembly 017 C.C.W. (P1)	VS24-63801	1
30	Cartridge assembly 020 C.W. (P1)	VS24-26490	1
31	Cartridge assembly 020 C.C.W. (P1)	VS24-26491	1
32	Cartridge assembly 024 C.W. (P1)	VS24-25891	1
33	Cartridge assembly 024 C.C.W. (P1)	VS24-25892	1
34	Cartridge assembly 028 C.W. (P1)	VS24-10849	1
35	Cartridge assembly 028 C.C.W. (P1)	VS24-10850	1
36	Cartridge assembly 031 C.W. (P1)	VS24-10851	1
37	Cartridge assembly 031 C.C.W. (P1)	VS24-10852	1
38	Cartridge assembly 035 C.W. (P1)	VS24-10853	1
39	Cartridge assembly 035 C.C.W. (P1)	VS24-10854	1
40	Cartridge assembly 038 C.W. (P1)	VS24-10855	1
41	Cartridge assembly 038 C.C.W. (P1)	VS24-10856	1

Item pos.	Description	Part No.		Qty
		VT6DDS		
	Cartridge assembly 042 C.W. (P1)	VS24-10857		
	Cartridge assembly 042 C.C.W. (P1)	VS24-10858		
	Cartridge assembly 045 C.W. (P1)	VS24-10859		
	Cartridge assembly 045 C.C.W. (P1)	VS24-10860		
	Cartridge assembly 050 C.W. (P1)	VS24-40236		
	Cartridge assembly 050 C.C.W. (P1)	VS24-40237		
	Cartridge assembly 061 C.W. (P1)	C-S14-71608		
	Cartridge assembly 061 C.C.W. (P1)	C-S14-71609		
	Cartridge assembly 014 C.W. (P2)	VS24-58160		1
	Cartridge assembly 014 C.C.W. (P2)	VS24-58161		
	Cartridge assembly 017 C.W. (P2)	VS24-59677		
	Cartridge assembly 017 C.C.W. (P2)	VS24-72348		
	Cartridge assembly 020 C.W. (P2)	VS24-58162		
	Cartridge assembly 020 C.C.W. (P2)	VS24-58163		
	Cartridge assembly 024 C.W. (P2)	VS24-58164		
	Cartridge assembly 024 C.C.W. (P2)	VS24-58165		
	Cartridge assembly 028 C.W. (P2)	VS24-58166		
	Cartridge assembly 028 C.C.W. (P2)	VS24-58167		
	Cartridge assembly 031 C.W. (P2)	VS24-58168		
	Cartridge assembly 031 C.C.W. (P2)	VS24-58169		
	Cartridge assembly 035 C.W. (P2)	VS24-58170		
	Cartridge assembly 035 C.C.W. (P2)	VS24-58171		
	Cartridge assembly 038 C.W. (P2)	VS24-58172		
	Cartridge assembly 038 C.C.W. (P2)	VS24-58173		
	Cartridge assembly 042 C.W. (P2)	VS24-58174		
	Cartridge assembly 042 C.C.W. (P2)	VS24-58175		
	Cartridge assembly 045 C.W. (P2)	VS24-58176		
	Cartridge assembly 045 C.C.W. (P2)	VS24-58177		
	Cartridge assembly 050 C.W. (P2)	VS24-58178		
	Cartridge assembly 050 C.C.W. (P2)	VS24-58195		
	Cartridge assembly 061 C.W. (P2)	C-S14-72173		
	Cartridge assembly 061 C.C.W. (P2)	C-S14-72174		
8a	Port plate - rear C.W (P1)	V034-59811		1
	Port plate - rear C.C.W (P1)	V034-59810		
	Port plate - rear C.W (P2)	V034-59810		
	Port plate - rear C.C.W (P2)	V034-59811		
8b	Pin vane holdout	V034-53588		20
8c	Vane	V034-59130		20
8d	Cam ring - 014	V034-66708		2
	Cam ring - 017	V034-67028		
	Cam ring - 020	V034-66596		
	Cam ring - 024	V034-59294		
	Cam ring - 028	V034-59133		

Item pos.	Description	Part No.		Qty
		VT6DDS		
	Cam ring - 031	V034-59135		
	Cam ring - 035	V034-59137		
	Cam ring - 038	V034-59139		
	Cam ring - 042	V034-59132		
	Cam ring - 045	V034-59131		
	Cam ring - 050	V034-66737		
	Cam ring - 061	V034-67127		
8e	Dowel pin	V034-21612		4
8f	Back-up ring	V618-15017		2
8g	Pressure port plate C.W (P1)	V034-59809		1
	Pressure port plate C.C.W (P1)	V034-59808		
	Pressure port plate C.W (P2)	V034-59808		
	Pressure port plate C.C.W (P2)	V034-59809		
8h	Sq.section seal	V691-10232		2
8j	Sq.section seal	V691-10244		2
8k	Rotor-insert assy	VS24-10121		1
8l	Rotor-insert assy	H-S24-51350		1
8m	Screw	V317-10320		4
8n	Lockwasher internal tooth	V348-10010		4
8p	Dowel pin	V323-82004		2
8q	Bearing bush	V034-70868		1
8r,8s	Sq.section seal	V691-10159		2
8t,8h	Seal kit (S1 - 0,7 bar)	VS24-72351		1
8j, 6	Seal kit (S4 - 7 bar)	VS24-72351-4		
8r,8s	Seal kit (S5 - 7 bar)	VS24-72351-5		
8a,8p	Port plate - rear assy C.W. (P1)	VS24-10831		1
	Port plate - rear assy C.C.W. (P1)	VS24-10832		
8a,8p	Port plate - rear and bush assy C.W. (P2)	VS24-10830		1
8q	Port plate - rear assy C.C.W. (P1)	VS24-10829		

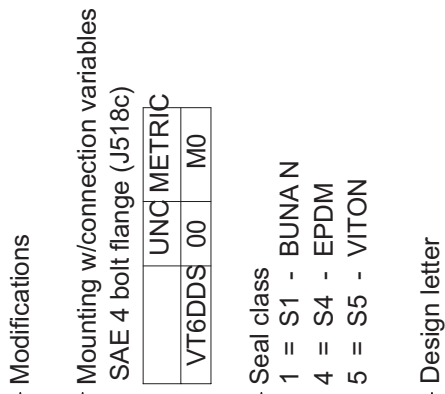
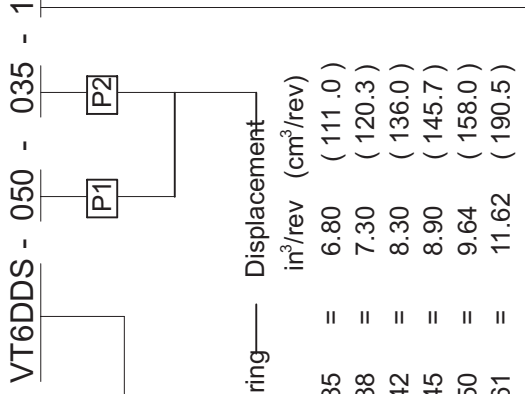
To change porting position, follow the steps below:

1. Secure pump and remove 4 bolts from mounting flange. Move the mounting flange 1 to 2 mm away from housing. Insert one bolt halfway to mounting flange. Install a wrench between the shaft and bolt and turn in the desired way, so that the required position of P1 port with respect to Suction is obtained. Reinstall the bolts and tighten to correspond mounting torque as provided on page 2.
2. Follow similar procedure for changing P2 position. Use wrench between two bolts placed diagonally opposite.

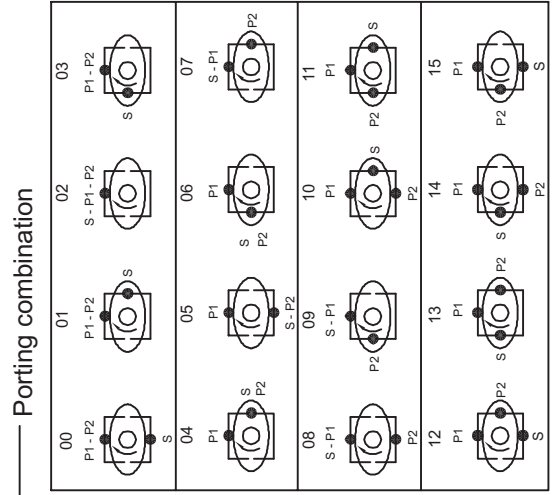


Instruction : Do not remove mounting flange/end cap completely from the housing but only just 1 to 2 mm to avoid the cartridge pin to move out from the housing dowel pin hole. Make sure no piece of paint enters into the gap to avoid leakage. If it is difficult to turn mounting flange/end cap put some hydraulic oil in to the pressure port to lubricate the pressure port seals.

MODEL CODE



- Type of shaft
- 1 - keyed (SAE C)
 - 2 - keyed (SAE CC)
 - 3 - splined (SAE C)
 - 4 - splined (SAE BB)
 - 5 - keyed (no SAE)
- Direction of rotation (view on shaft end)
- R - clockwise
 - L - counter-clockwise



Print	---
Replace	---
Revision	---

Printed in India