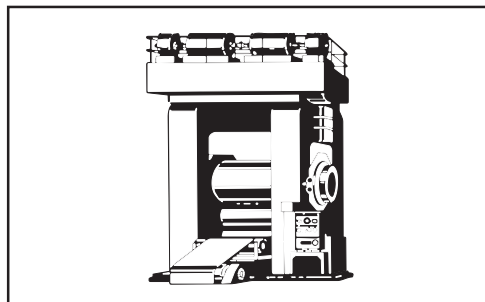
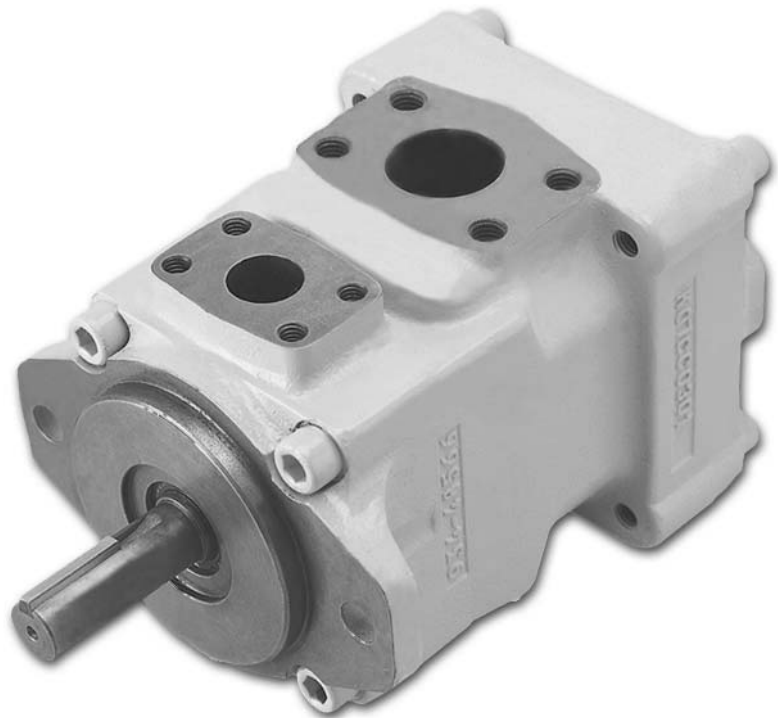
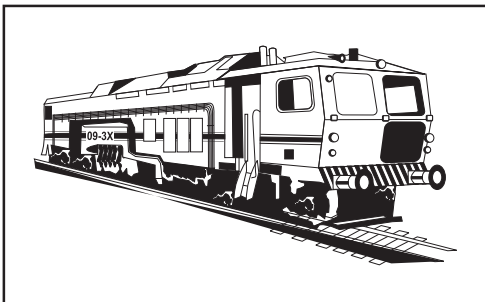
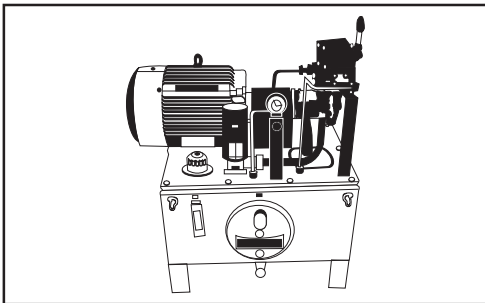
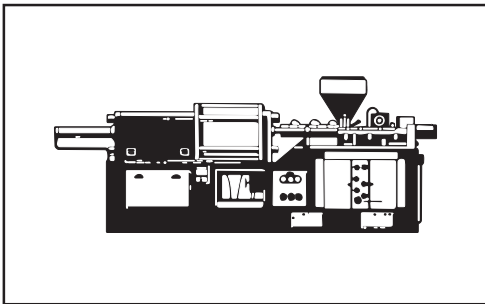


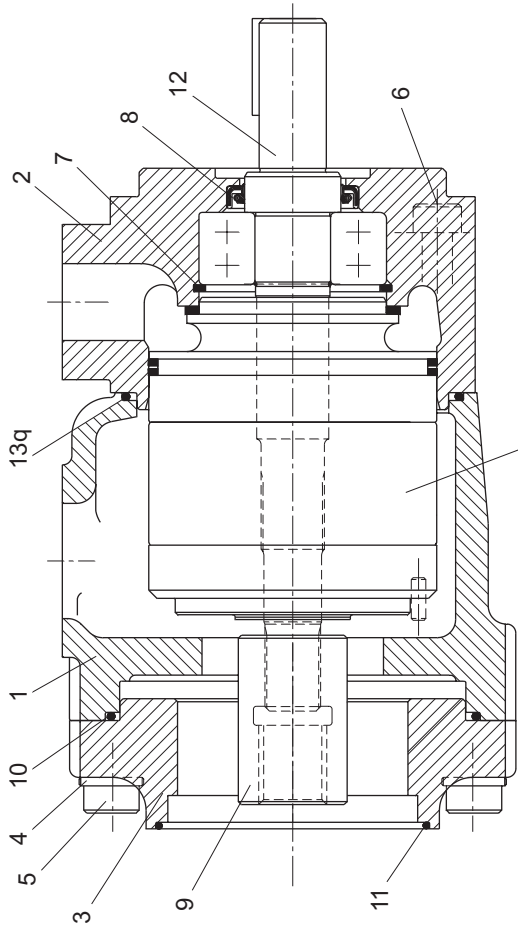


VT6CR - VT6CRM

Drive train single vane pump

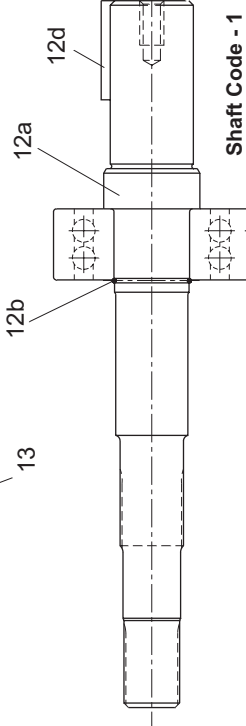


Bold printed are recommended repair kits and assemblies

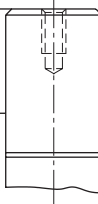


Mounting torque

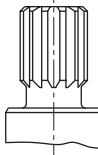
Item pos.	5	6
ft-lbs	53	117
N-m	72	159



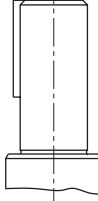
Shaft Code - 1



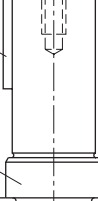
Shaft Code - 2



Shaft Code - 3



Shaft Code - 4

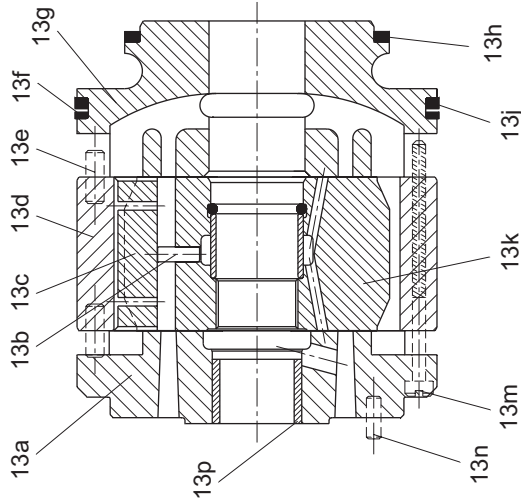


Shaft Code - 5

Item pos.	Description	Part No.			Qty
		VT6CR (Standard)	VT6CR (Bi-dir plates)	VT6CRM-B**	
1	Housing (UNC)	V034-66549	V034-66549	V034-66549	1
	Housing (Metric)	C-034-03058	C-034-03058	C-034-03058	
2	Mounting flange (UNC)	V034-66566	V034-66566	V034-66566	1
	Mounting flange (Metric)	C-034-03059	C-034-03059	C-034-03059	
3	Mounting adapter (SAE A)	V034-66531	V034-66531	V034-66531	1
	Mounting adapter (SAE B)	V034-66533	V034-66533	V034-66533	
	Mounting adapter (SAE C)	V034-66535	V034-66535	V034-66535	
4	Washer	V034-66412	V034-66412	V034-66412	4
5	Mounting Screw (adapter SAE-A)	V361-12254-8	V361-12254-8	V361-12254-8	4
	Mounting Screw (adapter SAE-B)	V361-12264-3	V361-12264-3	V361-12264-3	
	Mounting Screw (adapter SAE-C)	V361-12284-3	V361-12284-3	V361-12284-3	
6	Mounting Screw	V358-20320	V358-20320	V358-20320	4
7	Retaining ring	V356-30244	V356-30244	V356-30244	1
8	Shaft seal (S1-0.7 bar)	V620-82046	V620-82046	V620-82046	1
	Shaft seal (S4-7 bar)	V620-82046-4	V620-82046-4	V620-82046-4	
	Shaft seal (S5-7 bar)	V620-82046-5	V620-82046-5	V620-82046-5	

9	Coupling (SAE A) (9 teeth) for adapter SAE A	V034-66537	V034-66537	V034-66537	1
	Coupling (SAE B) for adapter SAE A	V034-66649	V034-66649	V034-66649	
	Coupling (SAE) (11 teeth) for adapter SAE A	V034-66652	V034-66652	V034-66652	
	Coupling (SAE B) for adapter SAE B	V034-66540	V034-66540	V034-66540	
	Coupling (SAE B-B) for adapter SAE B	V034-66543	V034-66543	V034-66543	
	Coupling (SAE C) for adapter SAE C	V034-66546	V034-66546	V034-66546	
10	'O' ring	V671-00246	V671-00246	V671-00246	1
11	Sq. section seal for adapter SAE A	V671-10152	V671-10152	V671-10152	1
	Sq. section seal for adapter SAE B	V671-10155	V671-10155	V671-10155	
	Sq. section seal for adapter SAE C	V671-10159	V671-10159	V671-10159	
12	Shaft and bearing ass'y (# 1)	VS24-26345	VS24-26345	VS24-26345	1
	Shaft and bearing ass'y (# 2)	VS24-26344	VS24-26344	VS24-26344	

ITEM 13q INCLUDED

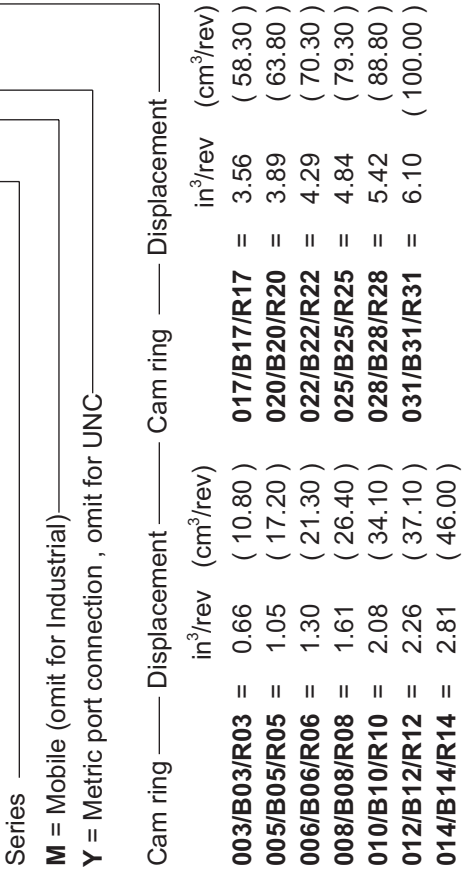


Item pos.	Description	Part No.			Qty
		VT6CR (Standard)	VT6CR (Bi-dir plates)	VT6CRM-B**	
	Shaft and bearing assy (# 3)	VS24-26346	VS24-26346	VS24-26346	
	Shaft and bearing assy (# 4)	VS24-26347	VS24-26347	VS24-26347	
	Shaft and bearing assy (# 5)	VS24-26348	VS24-26348	VS24-26348	
12a	Shaft (Keyed) (Code-1)	V034-66556	V034-66556	V034-66556	1
	Shaft (Keyed) (Code-2)	V034-66555	V034-66555	V034-66555	
	Shaft (Splined) (Code-3)	V034-66557	V034-66557	V034-66557	
	Shaft (Splined) (Code-4)	V034-66558	V034-66558	V034-66558	
	Shaft (Keyed) (Code-5)	V034-66559	V034-66559	V034-66559	
12b	Round section ring	V034-70777	V034-70777	V034-70777	1
12c	Ball bearing	V230-90019-3	V230-90019-3	V230-90019-3	1
12d	Key (Code 1)	V034-48690	V034-48690	V034-48690	1
	Key (Code 2)	V034-49622	V034-49622	V034-49622	
	Key (Code 5)	V034-49676	V034-49676	V034-49676	
13	Cartridge assembly *03 C.W.	VS24-26354	VS24-26778	VS24-44646	1
	Cartridge assembly *03 C.C.W.	VS24-26353	VS24-26777	VS24-44647	
	Cartridge assembly *05 C.W.	VS24-26356	VS24-26780	VS24-44648	
	Cartridge assembly *05 C.C.W.	VS24-26355	VS24-26779	VS24-44649	
	Cartridge assembly *06 C.W.	VS24-26358	VS24-26782	VS24-44650	
	Cartridge assembly *06 C.C.W.	VS24-26357	VS24-26781	VS24-44651	
	Cartridge assembly *08 C.W.	VS24-26360	VS24-26784	VS24-44652	
	Cartridge assembly *08 C.C.W.	VS24-26359	VS24-26783	VS24-44653	
	Cartridge assembly *10 C.W.	VS24-26362	VS24-26786	VS24-44654	
	Cartridge assembly *10 C.C.W.	VS24-26361	VS24-26785	VS24-44655	
	Cartridge assembly *12 C.W.	VS24-26383	VS24-26788	VS24-44656	
	Cartridge assembly *12 C.C.W.	VS24-26382	VS24-26787	VS24-44657	
	Cartridge assembly *14 C.W.	VS24-26364	VS24-26790	VS24-44658	
	Cartridge assembly *14 C.C.W.	VS24-26363	VS24-26789	VS24-44659	
	Cartridge assembly *17 C.W.	VS24-26366	VS24-26792	VS24-44660	
	Cartridge assembly *17 C.C.W.	VS24-26365	VS24-26791	VS24-44661	
	Cartridge assembly *20 C.W.	VS24-31885	VS24-33371	VS24-44662	
	Cartridge assembly *20 C.C.W.	VS24-50391	VS24-26793	VS24-44663	
	Cartridge assembly *22 C.W.	VS24-26368	VS24-26794	VS24-44664	
	Cartridge assembly *22 C.C.W.	VS24-26367	VS24-26795	VS24-44665	
	Cartridge assembly *25 C.W.	VS24-26370	VS24-26796	VS24-44666	
	Cartridge assembly *25 C.C.W.	VS24-26369	VS24-26797	VS24-44667	
	Cartridge assembly *28 C.W.	VS24-26372	VS24-26798	VS24-44668	
	Cartridge assembly *28 C.C.W.	VS24-26371	VS24-26799	VS24-44669	
	Cartridge assembly *31 C.W.	VS24-49442	VS24-63312	VS24-49345	
	Cartridge assembly *31 C.C.W.	VS24-49443	VS24-63313	VS24-49346	
* 0 - Standard B - Bi-directional plates/Mobile R - Mobile-Spring assisted (on request)					

Item pos.	Description	Part No.			Qty
		VT6CR (Standard)	VT6CR (Bi-dir plates)	VT6CRM-B**	
13a	Port plate - rear C.W.	V034-59776			1
	Port plate - rear C.C.W.	V034-59777			
	Port plate - rear Bi-dir		V034-59118	V034-59118	
13b	Pin vane holdout	V034-59098	V034-59098	V034-24982	10
13c	Vane	V034-59099	V034-59099	V034-66716	10
13d	Cam ring - 003	V034-59050	V034-59050	V034-59050	1
	Cam ring - 005	V034-59051	V034-59051	V034-59051	
	Cam ring - 006	V034-59052	V034-59052	V034-59052	
	Cam ring - 008	V034-59053	V034-59053	V034-59053	
	Cam ring - 010	V034-59054	V034-59054	V034-59054	
	Cam ring - 012	V034-66595	V034-66595	V034-66595	
	Cam ring - 014	V034-59206	V034-59206	V034-59206	
	Cam ring - 017	V034-59207	V034-59207	V034-59207	
	Cam ring - 020	V034-66607	V034-66607	V034-66607	
	Cam ring - 022	V034-59208	V034-59208	V034-59208	
	Cam ring - 025	V034-59209	V034-59209	V034-59209	
	Cam ring - 028	V034-59245	V034-59245	V034-59245	
	Cam ring - 031	V034-66843	V034-66843	V034-66843	
13e	Dowel pin	V324-21208	V324-21208	V324-21208	2
13f	Back-up ring	V618-15016	V618-15016	V618-15016	1
13g	Port plate - pressure C.W.	V034-59772			1
	Port plate - pressure C.C.W.	V034-59773			
	Port plate - pressure Bi-dir		V034-66453	V034-66453	
13h	Sq. section seal	V691-10229	V691-10229	V691-10229	1
13j	Sq. section seal	V691-10238	V691-10238	V691-10238	1
13k	Rotor-insert assy	VS24-10350	VS24-10350	VS24-33974	1
13m	Screw	V317-06266	V317-06266	V317-06266	2
13n	Dowel pin	V323-82010	V323-82010	V323-82010	1
13p	Bush	V034-59412	V034-59412	V034-59412	1
13q	O ring	V671-00244	V671-00244	V671-00244	1
8, 10	Seal kit (S1 - 0.7 bar)	VS24-26387	VS24-26387	VS24-26387	1
11, 13f	Seal kit (S4 - 7 bar)	VS24-26387-4	VS24-26387-4	VS24-26387-4	
13g, 13h	Seal kit (S5 - 7 bar)	VS24-26387-5	VS24-26387-5	VS24-26387-5	
13q					
13a	Port plate - rear and bush assy	C.W	VS24-10808		1
13p		C.C.W	VS24-10807		
		Bi-dir		VS14-45605	VS14-45605
3, 4	Mounting adapter ass'y (SAE A)	VS24-26336	VS24-26336	VS24-26336	1
5, 11	Mounting adapter ass'y (SAE B)	VS24-26337	VS24-26337	VS24-26337	
	Mounting adapter ass'y (SAE C)	VS24-26338	VS24-26338	VS24-26338	

MODEL CODE

VT6CR * * - *22 - 1 R 00 - B 3 0 - A 1 *



Select 'B**' for Mobile and Bi-directional
 Select 'R**' for Mobile-spring assisted

Type of Shaft _____

VT6CR/VT6CRM

- 1** = Keyed (SAE- BB)
- 2** = Keyed (no SAE)
- 3** = Splined (SAE- B)
- 4** = Splined (SAE- BB)
- 5** = Keyed (no SAE)

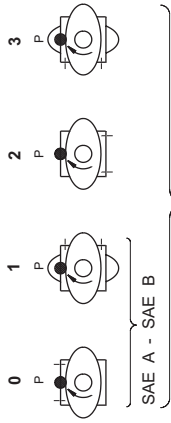
Direction of rotation _____

- R** = Clockwise
- L** = Counter - clockwise

- Modification _____
- Seal class
- 1** = S1 - BUNAN
 - 4** = S4 - EPDM
 - 5** = S5 - VITON

Design letter _____

Porting adapter _____



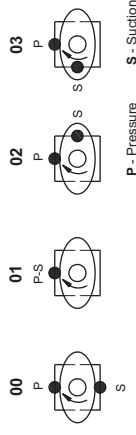
Coupling

- 1** = SAE A **2** = SAE B
- 3** = SAE B - B **4** = SAE C
- 5** = SAE J498b 16/32-11 teeth

Adapter

- 0** = None **B** = SAE B
- A** = SAE A **C** = SAE C

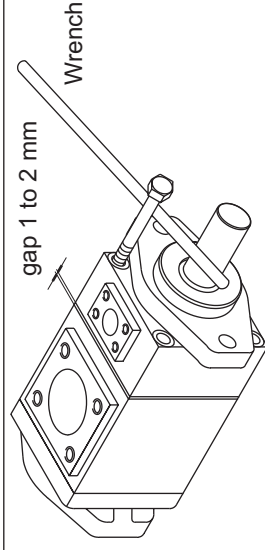
Porting combination : (00 = Standard)



To change porting position, follow the steps below:

1. Secure pump and remove 4 bolts from mounting flange. Move the mounting flange 1 to 2 mm away from housing. Insert one bolt halfway to mounting flange. Install a wrench between the shaft and bolt and turn in the desired way, so that the required position of P1 port with respect to Suction is obtained. Reinstall the bolts and tighten to corresponding mounting torque as provided on page 2.

Instruction : Do not remove mounting flange completely from the housing but only just 1 to 2 mm to avoid the cartridge pin to move out from the housing dowel pin hole. Make sure no piece of paint enters into the gap to avoid leakage. If it is difficult to turn mounting flange put some hydraulic oil into the pressure port to lubricate the pressure port seals.



Veljan Hydrair Private Limited, Balanagar, Hyderabad - 500 037, INDIA . Phone : +91-40-3772794,95 Fax : +91-40-3773963, www.veljan.com

Print	VHPL/10/12/1k
Replace	
Revision	
Printed in India	