



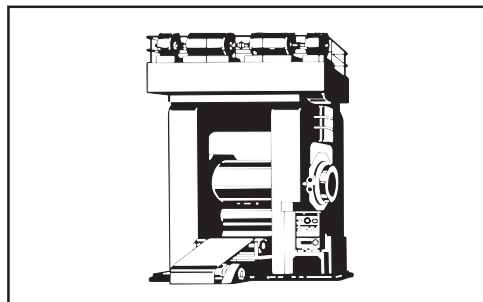
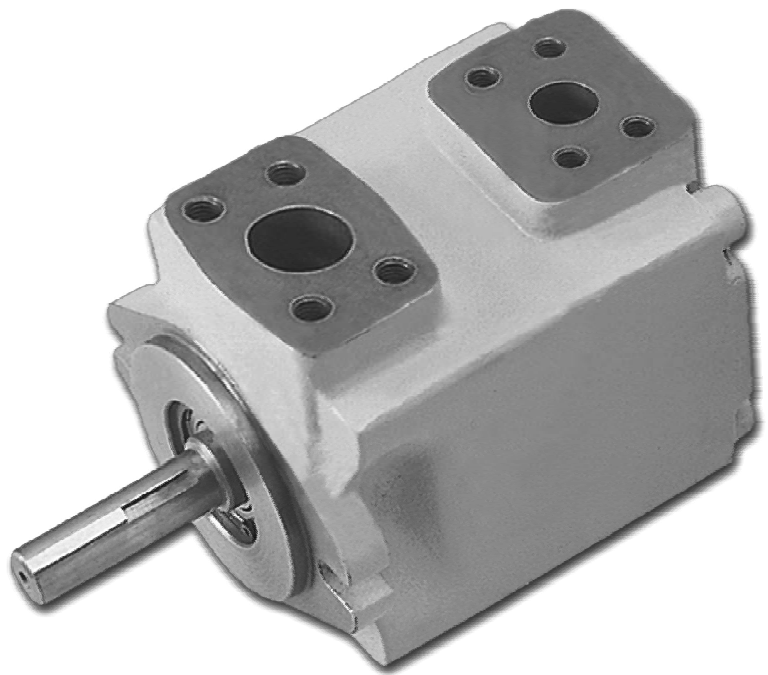
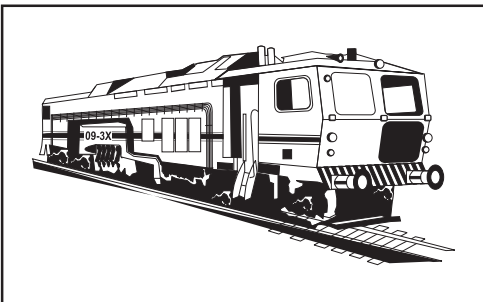
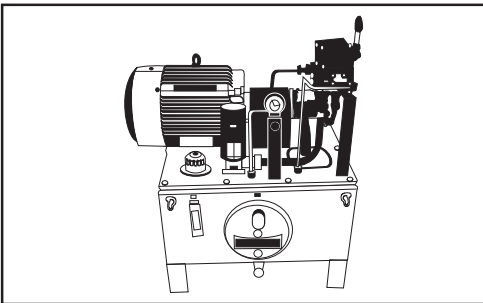
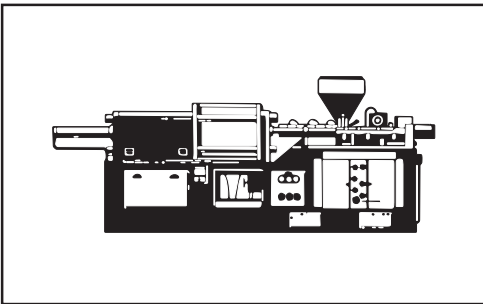
VELJAN

Service Information

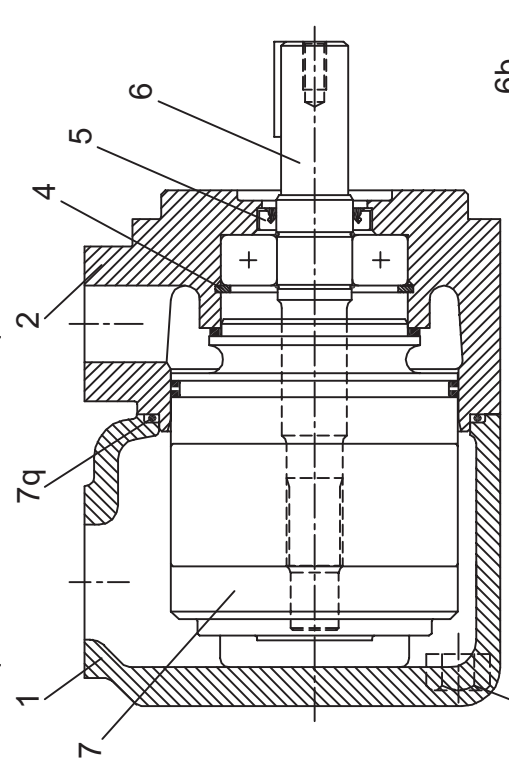
SS4 - 00101

VT6C - VT6CM

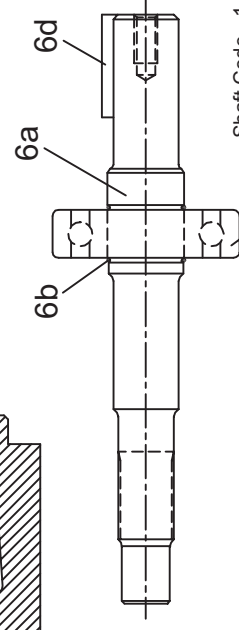
Single vane pump



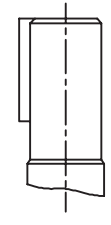
Bold printed are recommended repair kits and assemblies



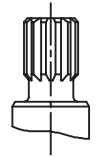
3— Mounting torque : 117 ft. lbs
(159 Nm)



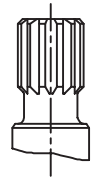
Shaft Code - 1



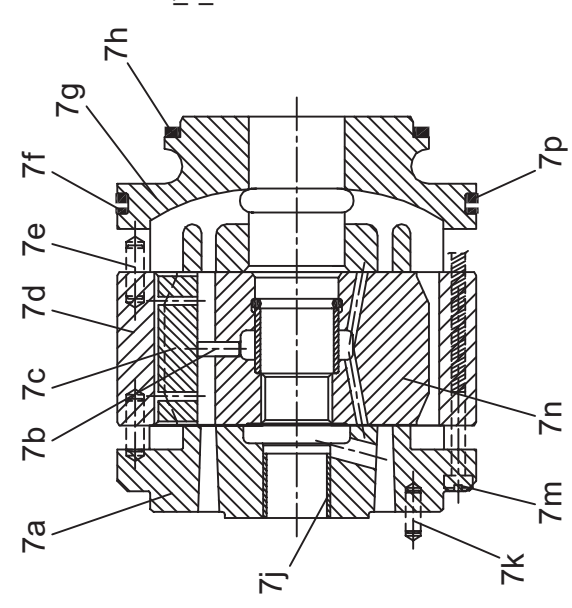
Shaft Code - 2



Shaft Code - 3



Shaft Code - 4



ITEM 7q
INCLUDED

Item pos.	Description	Part No.			Qty
		VT6C (Standard)	VT6C (Bi-dir plates)	VT6CM-B**	
1	Housing (UNC)	V034-48564	V034-48564	V034-48564	1
	Housing (Metric)	V034-66677	V034-66677	V034-66677	
2	Mounting flange ((UNC)	V034-48565	V034-48565	V034-48565	1
	Mounting flange (Metric)	C-SK-00705	C-SK-00705	C-SK-00705	
3	Mounting Screw	V306-40038	V306-40038	V306-40038	4
4	Retaining ring	V356-30244	V356-30244	V356-30244	1

5	Shaft seal (S1-0.7 bar)	V620-82012	V620-82012	V620-82012	1
	Shaft seal (S4-S5-7 bar)	V620-82068	V620-82068	V620-82068	
6	Shaft and bearing assy (#1)	VS14-24570	VS14-24570	VS14-24570	1
	Shaft and bearing assy (#2)	VS14-25645	VS14-25645	VS14-25645	
	Shaft and bearing assy (#3)	VS14-24569	VS14-24569	VS14-24569	
	Shaft and bearing assy (#4)	VS24-10430	VS24-10430	VS24-10430	
6a	Shaft (Keyed) (Code-1)	V034-70814	V034-70814	V034-70814	1
	Shaft (Keyed) (Code-2)	V034-70880	V034-70880	V034-70880	
	Shaft (Splined) (Code-3)	V034-70815	V034-70815	V034-70815	
	Shaft (splined) (Code-4)	V034-59426	V034-59426	V034-59426	
6b	Round section ring	V034-70777	V034-70777	V034-70777	2

Item pos.	Description	Part No.			Qty
		VT6C (Standard)	VT6C (Bi-dir plates)	VT6CM-B**	
6c	Ball bearing	V230-82054	V230-82054	V230-82054	1
6d	Key (Code -1)	V034-48690	V034-48690	V034-48690	1
	Key (Code -2)	V034-49622	V034-49622	V034-49622	1
7	Cartridge assembly *03 CCW	VS24-10692	VS14-97604	VS24-30097	1
	Cartridge assembly *03 CCW	VS24-10693	VS14-97605	VS24-30098	
	Cartridge assembly *05 CW	VS24-10694	VS14-97606	VS24-30099	
	Cartridge assembly *05 CCW	VS24-10695	VS14-97607	VS24-30100	
	Cartridge assembly *06 CW	VS24-10696	VS14-97608	VS24-30101	
	Cartridge assembly *06 CCW	VS24-10697	VS14-97609	VS24-30102	
	Cartridge assembly *08 CW	VS24-10698	VS14-97610	VS24-30103	
	Cartridge assembly *08 CCW	VS24-10699	VS14-97611	VS24-30104	
	Cartridge assembly *10 CW	VS24-10721	VS14-97612	VS24-30105	
	Cartridge assembly *10 CCW	VS24-10722	VS14-97613	VS24-30106	
	Cartridge assembly *12 CW	VS24-26478	VS24-26494	VS24-30107	
	Cartridge assembly *12 CCW	VS24-26479	VS24-26495	VS24-30108	
	Cartridge assembly *14 CW	VS24-10723	VS14-97614	VS24-30109	
	Cartridge assembly *14 CCW	VS24-10724	VS14-97615	VS24-30110	
	Cartridge assembly *17 CW	VS24-10725	VS14-97616	VS24-30111	
	Cartridge assembly *17 CCW	VS24-10726	VS14-97617	VS24-30112	
	Cartridge assembly *20 CW	VS24-26859	VS24-31767	VS24-30113	
	Cartridge assembly *20 CCW	VS24-26860	VS24-31768	VS24-30114	
	Cartridge assembly *22 CW	VS24-10727	VS14-97618	VS24-30115	
	Cartridge assembly *22 CCW	VS24-10728	VS14-97619	VS24-30116	
	Cartridge assembly *25 CW	VS24-10729	VS14-97620	VS24-30117	
	Cartridge assembly *25 CCW	VS24-10730	VS14-97621	VS24-30118	
	Cartridge assembly *28 CW	VS14-97761	VS14-97622	VS24-30119	
	Cartridge assembly *28 CCW	VS24-25519	VS14-97623	VS24-30120	
	Cartridge assembly *31 CW	VS24-45785	VS24-50671	VS24-45791	
	Cartridge assembly *31 CCW	VS24-45786	VS24-50672	VS24-45792	
7a	Port plate - rear CW	V034-59774			1
	Port plate - rear CCW	V034-59775			
	Port plate - rear Bi-dir		V034-59047	V034-59047	
7b	Pin vane holdout	V034-59098	V034-59098	V034-24982	10
7c	Vane	V034-59099	V034-59099	V034-66716	10
7d	Cam ring - 003	V034-59050	V034-59050	V034-59050	1
	Cam ring - 005	V034-59051	V034-59051	V034-59051	
	Cam ring - 006	V034-59052	V034-59052	V034-59052	
	Cam ring - 008	V034-59053	V034-59053	V034-59053	
	Cam ring - 010	V034-59054	V034-59054	V034-59054	

Item pos.	Description	Part No.			Qty
		VT6C (Standard)	VT6C (Bi-dir plates)	VT6CM-B**	
	Cam ring - 012	V034-66595	V034-66595	V034-66595	
	Cam ring - 014	V034-59206	V034-59206	V034-59206	
	Cam ring - 017	V034-59207	V034-59207	V034-59207	
	Cam ring - 020	V034-66607	V034-66607	V034-66607	
	Cam ring - 022	V034-59208	V034-59208	V034-59208	
	Cam ring - 025	V034-59209	V034-59209	V034-59209	
	Cam ring - 028	V034-59245	V034-59245	V034-59245	
	Cam ring - 031	V034-66843	V034-66843	V034-66843	
7e	Dowel pin	V324-21208	V324-21208	V324-21208	2
7f	Back-up ring	V618-15016	V618-15016	V618-15016	1
7g	Port plate - pressure CW	V034-59772			1
	Port plate - pressure CCW	V034-59773			
	Port plate - pressure Bi-dir		V034-66453	V034-66453	
7h	Sq. section seal	V691-10229	V691-10229	V691-10229	1
7i	Bush	V034-71867	V034-71867	V034-71867	1
7k	Dowel pin	V323-82010	V323-82010	V323-82010	1
7m	Screw	V317-06266	V317-06266	V317-06266	2
7n	Rotor-insert ass'y	VS24-10116	VS24-10116	VS24-30049	1
7p	Sq. section seal	V691-10238	V691-10238	V691-10238	1
7q	O' ring	V671-00244	V671-00244	V671-00244	1
5, 7f,	Seal kit (S1 - 0.7 bar)	VS24-10133	VS24-10133	VS24-10133	1
7h, 7p	Seal kit (S4 - 7 bar)	VS24-10133-4	VS24-10133-4	VS24-10133-4	
7q,	Seal kit (S5 - 7 bar)	VS24-10133-5	VS24-10133-5	VS24-10133-5	
7a	Port plate - rear CW	VS24-10803			1
7j	Port plate - rear CCW	VS24-10804			
	Port plate - rear Bi-dir		VS14-45605	VS14-45605	
	* 0 - Standard				
	B - Bi-directional plates/Mobile				
	R - Mobile-spring assisted (on request)				

MODEL CODE

VT6C ** - * 22 - 1 R 00 - B 1 *

Series

M = Mobile (omit for Industrial)

Y = Metric port connection, omit for UNG

Cam ring — Displacement — Cam ring — Displacement

Cam ring	Displacement in ³ /rev (cm ³ /rev)	Cam ring	Displacement in ³ /rev (cm ³ /rev)
003/B03/R03	= 0.66 (10.8)	017/B17/R17	= 3.56 (58.3)
005/B05/R05	= 1.05 (17.2)	020/B20/R20	= 3.89 (63.8)
006/B06/R06	= 1.30 (21.3)	022/B22/R22	= 4.29 (70.3)
008/B08/R08	= 1.61 (26.4)	025/B25/R25	= 4.84 (79.3)
010/B10/R10	= 2.08 (34.1)	028/B28/R28	= 5.42 (88.8)
012/B12/R12	= 2.26 (37.1)	031/B3/R311	= 6.10 (100.0)
014/B14/R14	= 2.81 (46.0)		

Select 'B**' for Mobile and Industrial bi-directional

Select 'R**' for Mobile-spring assisted

Type of Shaft

- 1 = Keyed (SAE B)
- 2 = Keyed (no SAE)
- 3 = Splined (SAE B)
- 4 = Splined (SAE B-B)

Modification

Seal class

1 = S1 - BUNAN

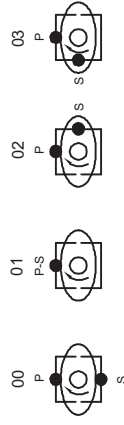
4 = S4 - EPDM

5 = S5 - VITON

Design letter

B = Industrial C = Mobile

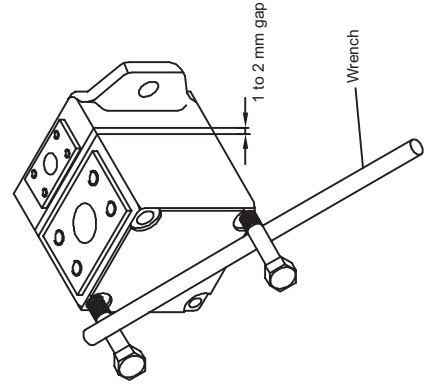
Porting combination : (00 = Standard)



Direction of rotation

R = Clockwise

L = Counter - clockwise



To change porting position, follow the steps below:

Secure pump and remove 4 bolts from housing. Move the housing 1 to 2 mm away from mounting flange. Insert Two bolt halfway to housing. Install a Wrench between the Two bolts and turn in the desired way, so that the required position of pressure port with respect to suction is obtained. Reinstall the bolts and tighten to corresponding torque.

Instruction : Do not remove housing completely from the mounting flange but only just 1 to 2 mm to avoid the cartridge pin to move out from the housing-dowel pin hole. make sure no piece of paint enters in to the gap to avoid leakage.

If it is difficult to turn housing put some hydraulic oil to the pressure port to lubricate the pressure port seals.

Print	_____
Replace	_____
Revision	_____