



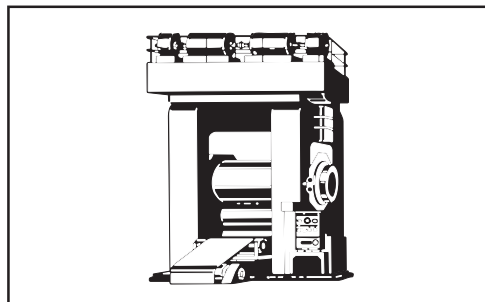
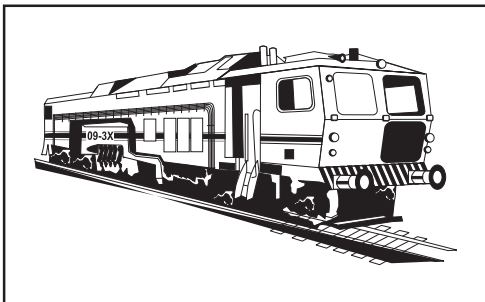
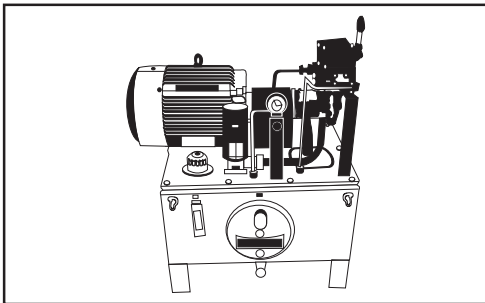
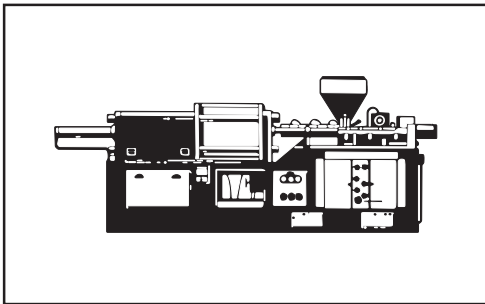
**VELJAN**

**Service Information**

**SS4 - 00109**

# **VT6EDC - VT6EDCM - VT6EDCS**

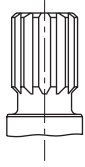
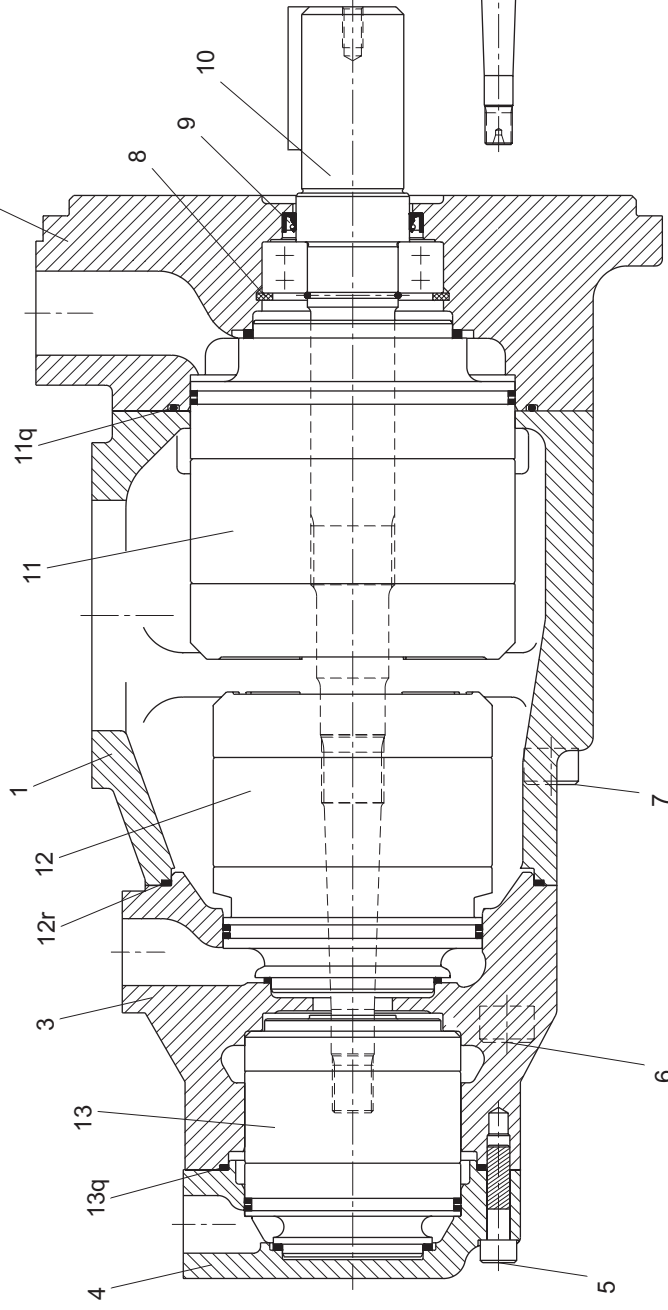
## **Triple vane pump**



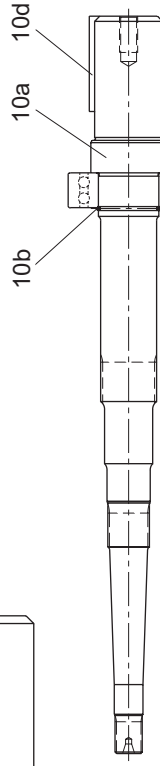
**Bold printed are recommended repair kits and assemblies**

Mounting torque

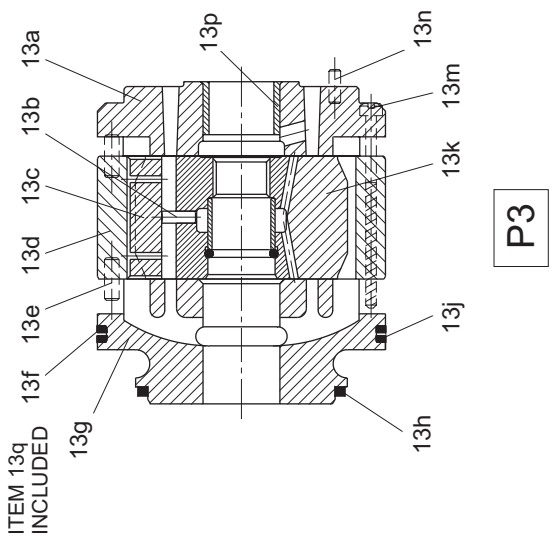
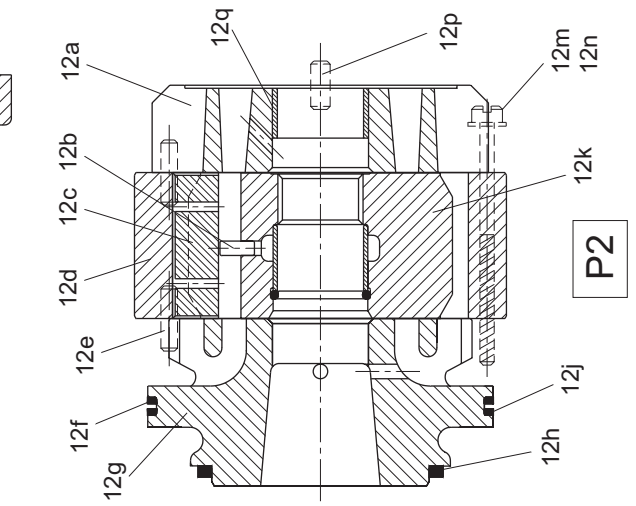
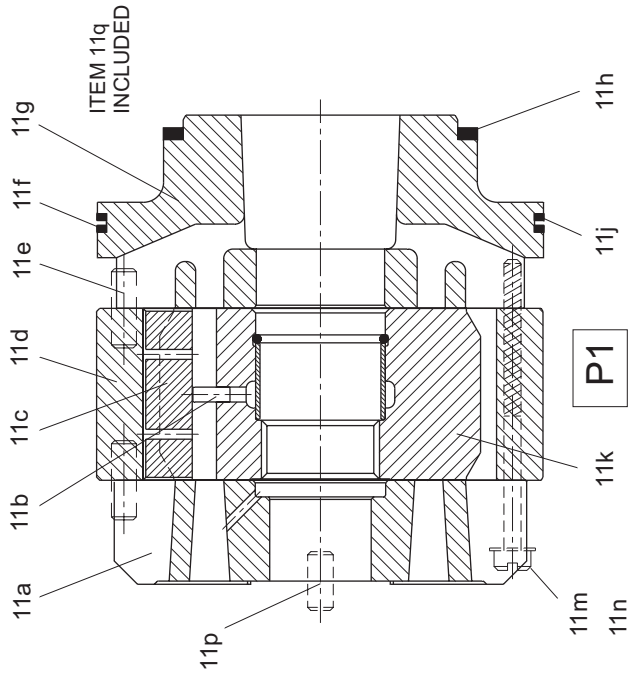
Item pos.	5	6	7
ft-lbs	40	140	220
N-m	54	190	300



**Shaft Code - 3**



**Shaft Code - 1**



Item pos.	Description	Part No.			Qty
		VT6EDC (Standard)	VT6EDC (Bi-dir plates) (Only for P2 & P3)	VT6EDCM VT6EDCS	
1	Housing (Pedestal mounting)	V034-66782	V034-66782	V034-66782	1
	Housing (Face mounting)	V034-66796	V034-66796	V034-66796	
	Housing (Pedestal mounting) (VT6EDCS)			V034-66810	
	Housing (Face mounting) (VT6EDCS)			V034-66811	
2	Mounting flange	V034-66781	V034-66781	V034-66781	1
	Mounting flange (VT6EDCS)			V034-66809	
3	Port block	V034-66783	V034-66783	V034-66783	1
	Port block (VT6EDCS)			V034-66812	
4	End cap (Standard) (P3 = 3/4")	V034-66765	V034-66765	V034-66765	1
	End cap (Standard) (P3 = 1")	V034-71327	V034-71327	V034-71327	
	End cap (Standard) (P3 = 3/4") (VT6EDCS)			V034-66523	
	End cap (Standard) (P3 = 1") (VT6EDCS)			V034-48579	
5	Mounting Screw	V361-11264-3	V361-11264-3	V361-11264-3	7
6	Mounting Screw	V361-14324-3	V361-14324-3	V361-14324-3	4
7	Mounting Screw	V361-14464-3	V361-14464-3	V361-14464-3	4
8	Retaining ring	V356-30315	V356-30315	V356-30315	1
9	Shaft seal (S1-0.7 bar)	V620-00018-3	V620-00018-3	V620-00018-3	1
	Shaft seal (S4-S5-7 bar)	V620-00019-3	V620-00019-3	V620-00019-3	1
10	Shaft and bearing ass'y (#1) (for VT6EDC,VT6EDCM)	V524-44516	V524-44516	V524-44516	1
	Shaft and bearing ass'y (#3)			V524-44517	
10a	Shaft (Keyed) (Code-1)(for VT6EDC,VT6EDCM)	V034-66785	V034-66785	V034-66785	1
	Shaft (Splined) (Code-3)			V034-66784	
10b	Round section ring	V034-70866	V034-70866	V034-70866	1
10c	Ball bearing	V230-90018-3	V230-90018-3	V230-90018-3	1
10d	Key	V034-66786	V034-66786	V034-66786	1
11	Cartridge assembly *42 C.W. (P1)	V524-43930	V524-43930	V524-43930	1
	Cartridge assembly *42 C.C.W. (P1)	V524-43931	V524-43931	V524-43931	
	Cartridge assembly *45 C.C.W. (P1)	V524-10205	V524-10205	V524-40377	
	Cartridge assembly *45 C.C.W. (P1)	V524-10206	V524-10206	V524-40378	
	Cartridge assembly *50 C.W. (P1)	V524-40769	V524-40769	V524-40771	
	Cartridge assembly *50 C.C.W. (P1)	V524-40770	V524-40770	V524-40772	
	Cartridge assembly *52 C.W. (P1)	V524-10207	V524-10207	V524-40379	
	Cartridge assembly *52 C.C.W. (P1)	V524-10208	V524-10208	V524-40380	

Item pos.	Description	Part No.			Qty
		VT6EDC (Standard)	VT6EDC (Bi-dir plates) (Only for P2 & P3)	VT6EDCM VT6EDCS	
	Cartridge assembly *62 C.W. (P1)	V524-10209	V524-10209	V524-40381	
	Cartridge assembly *62 C.C.W. (P1)	V524-10210	V524-10210	V524-40382	
	Cartridge assembly *66 C.W. (P1)	V524-10211	V524-10211	V524-40383	
	Cartridge assembly *66 C.C.W. (P1)	V524-10212	V524-10212	V524-40384	
	Cartridge assembly *72 C.W. (P1)	V524-40375	V524-40375	V524-40385	
	Cartridge assembly *72 C.C.W. (P1)	V524-40376	V524-40376	V524-40386	
	Cartridge assembly *85 C.W. (P1)	V524-59352	V524-59352		
	Cartridge assembly *85 C.C.W. (P1)	V524-68983	V524-68983		
11a	Port plate - rear C.W.	V034-59083	V034-59083	V034-59083	1
	Port plate - rear C.C.W.	V034-59082	V034-59082	V034-59082	
11b	Pin vane holdout	V034-59161	V034-59161	V034-70259	12
11c	Vane	V034-59162	V034-59162	V034-59162	12
11d	Cam ring - 042	V034-66899	V034-66899	V034-66899	1
	Cam ring - 045	V034-59164	V034-59164	V034-59164	
	Cam ring - 050	V034-66744	V034-66744	V034-66744	
	Cam ring - 052	V034-59165	V034-59165	V034-59165	
	Cam ring - 062	V034-59166	V034-59166	V034-59166	
	Cam ring - 066	V034-59167	V034-59167	V034-59167	
	Cam ring - 072	V034-66736	V034-66736	V034-66736	
	Cam ring - 085	V034-67030	V034-67030	V034-67030	
11e	Dowel pin	V324-22016	V324-22016	V324-22016	2
11f	Back-up ring	V618-15018	V618-15018	V618-15018	1
11g	Port plate - pressure C.W.	V034-59159	V034-59159	V034-59159	1
	Port plate - pressure C.C.W.	V034-59160	V034-59160	V034-59160	
11h	Sq. section seal	V691-10237	V691-10237	V691-10237	1
11j	Sq. section seal	V691-10253	V691-10253	V691-10253	1
11k	Rotor-insert assy	V524-10185	V524-10185	V524-30019	1
11m	Screw	V310-10340	V310-10340	V310-10340	2
11n	Lockwasher internal tooth	V348-10010	V348-10010	V348-10010	2
11p	Dowel pin	V323-82014	V323-82014	V323-82014	1
11q	Sq. section seal	V671-10259	V671-10259	V671-10259	1
12	Cartridge assembly *14 C.W. (P2)	V524-40795	C-S14-71672	V524-40797	1
	Cartridge assembly *14 C.C.W. (P2)	V524-40796	C-S14-71673	V524-40798	

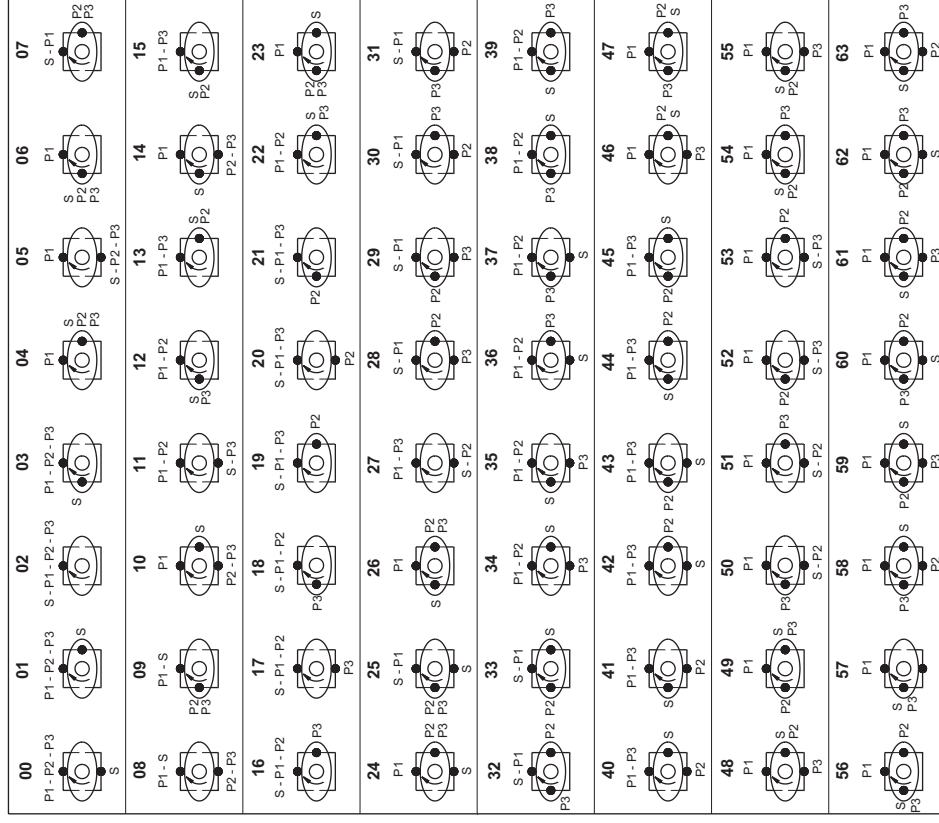
	Cartridge assembly *20 C.W. (P2)	VS24-26492	C-S14-71674	VS24-40330	
	Cartridge assembly *20 C.C.W. (P2)	VS24-26493	C-S14-71675	VS24-40331	
	Cartridge assembly *24 C.W. (P2)	VS14-25893	C-S14-71676	VS24-40332	
	Cartridge assembly *24 C.C.W. (P2)	VS24-25894	C-S14-71677	VS24-40333	
	Cartridge assembly *28 C.W. (P2)	VS24-10861	VS24-10220	VS24-40334	
	Cartridge assembly *28 C.C.W. (P2)	VS24-10862	VS24-10221	VS24-40335	
	Cartridge assembly *31 C.W. (P2)	VS24-10863	VS24-10222	VS24-40336	
	Cartridge assembly *31 C.C.W. (P2)	VS24-10864	VS24-10223	VS24-40337	
	Cartridge assembly *35 C.W. (P2)	VS24-10865	VS24-10224	VS24-40338	
	Cartridge assembly *35 C.C.W. (P2)	VS24-10866	VS24-10225	VS24-40339	
	Cartridge assembly *38 C.W. (P2)	VS24-10867	VS24-10226	VS24-40340	
	Cartridge assembly *38 C.C.W. (P2)	VS24-10868	VS24-10227	VS24-40341	
	Cartridge assembly *42 C.W. (P2)	VS24-10869	VS24-10228	VS24-40342	
	Cartridge assembly *42 C.C.W. (P2)	VS24-10870	VS24-10229	VS24-40343	
	Cartridge assembly *45 C.W. (P2)	VS24-10871	VS24-10230	VS24-40344	
	Cartridge assembly *45 C.C.W. (P2)	VS24-10872	C-S14-71680	VS24-40345	
	Cartridge assembly *50 C.W. (P2)	VS24-40387	C-S14-71681	VS24-40346	
	Cartridge assembly *50 C.C.W. (P2)	VS24-40388	VS24-40347	VS24-40347	
12a	Port plate - rear C.W.	V034-59812			1
	Port plate - rear C.C.W.	V034-59813			
	Port plate - rear Bi-dir		V034-59119	V034-59119	
12b	Pin vane holdout	V034-59130	V034-59130	V034-24984	10
12c	Vane	V034-53588	V034-53588	V034-53588	10
12d	Cam ring - 014	V034-66708	V034-66708	V034-66708	1
	Cam ring - 020	V034-66596	V034-66596	V034-66596	
	Cam ring - 024	V034-59294	V034-59294	V034-59294	
	Cam ring - 028	V034-59133	V034-59133	V034-59133	
	Cam ring - 031	V034-59135	V034-59135	V034-59135	
	Cam ring - 035	V034-59137	V034-59137	V034-59137	
	Cam ring - 038	V034-59139	V034-59139	V034-59139	
	Cam ring - 042	V034-59132	V034-59132	V034-59132	
	Cam ring - 045	V034-59131	V034-59131	V034-59131	
	Cam ring - 050	V034-66737	V034-66737	V034-66737	
12e	Dowel pin	V324-21612	V324-21612	V324-21612	2
12f	Back-up ring	V618-15017	V618-15017	V618-15017	1
12g	Port plate - pressure C.W.	V034-59808			1
	Port plate - pressure C.C.W.	V034-59809			
	Port plate - pressure		V034-59057	V034-59057	
12h	Sq. section seal	V691-10232	V691-10232	V691-10232	1

12j	Sq. section seal	V691-10244	V691-10244	V691-10244	V691-10244	1
12k	Rotor-insert assy	VS24-10121	VS24-10121	VS24-10121	VS24-30018	1
12m	Screw	V317-10320	V317-10320	V317-10320	V317-10320	2
12n	Lockwasher internal tooth	V348-10010	V348-10010	V348-10010	V348-10010	2
12p	Dowel pin	V323-82004	V323-82004	V323-82004	V323-82004	1
12q	Bush	V034-59901	V034-59901	V034-59901	V034-59901	1
12r	Sq. section seal	V671-10159	V671-10159	V671-10159	V671-10159	1
13	Cartridge assembly *03 C.W. (P3)	VS24-10749	VS24-10371	VS24-10371	VS24-40200	1
	Cartridge assembly *03 C.C.W. (P3)	VS24-10750	VS24-10372	VS24-10372	VS24-40201	
	Cartridge assembly *05 C.W. (P3)	VS24-10751	VS24-10373	VS24-10373	VS24-40202	
	Cartridge assembly *05 C.C.W. (P3)	VS24-10752	VS24-10374	VS24-10374	VS24-40203	
	Cartridge assembly *06 C.W. (P3)	VS24-10753	VS24-10375	VS24-10375	VS24-40204	
	Cartridge assembly *06 C.C.W. (P3)	VS24-10754	VS24-10376	VS24-10376	VS24-40205	
	Cartridge assembly *08 C.W. (P3)	VS24-10755	VS24-10377	VS24-10377	VS24-40206	
	Cartridge assembly *08 C.C.W. (P3)	VS24-10756	VS24-10378	VS24-10378	VS24-40207	
	Cartridge assembly *10 C.W. (P3)	VS24-10757	VS24-10379	VS24-10379	VS24-40208	
	Cartridge assembly *10 C.C.W. (P3)	VS24-10758	VS24-10380	VS24-10380	VS24-40209	
	Cartridge assembly *12 C.W. (P3)	VS24-26482	VS24-26498	VS24-26498	VS24-40210	
	Cartridge assembly *12 C.C.W. (P3)	VS24-26483	VS24-26499	VS24-26499	VS24-40211	
	Cartridge assembly *14 C.W. (P3)	VS24-10759	VS24-10381	VS24-10381	VS24-40212	
	Cartridge assembly *14 C.C.W. (P3)	VS24-10760	VS24-10382	VS24-10382	VS24-40213	
	Cartridge assembly *17 C.W. (P3)	VS24-10761	VS24-10383	VS24-10383	VS24-40214	
	Cartridge assembly *17 C.C.W. (P3)	VS24-10762	VS24-10384	VS24-10384	VS24-40215	
	Cartridge assembly *20 C.W. (P3)	VS24-31023	VS24-40684	VS24-40684	VS24-40216	
	Cartridge assembly *20 C.C.W. (P3)	VS24-40032	VS24-40685	VS24-40685	VS24-40217	
	Cartridge assembly *22 C.W. (P3)	VS24-10763	VS24-10385	VS24-10385	VS24-40218	
	Cartridge assembly *22 C.C.W. (P3)	VS24-10764	VS24-10386	VS24-10386	VS24-40219	
	Cartridge assembly *25 C.W. (P3)	VS24-10765	VS24-10387	VS24-10387	VS24-40220	
	Cartridge assembly *25 C.C.W. (P3)	VS24-10766	VS24-10388	VS24-10388	VS24-40221	
	Cartridge assembly *28 C.W. (P3)	VS24-25547	VS24-25973	VS24-25973	VS24-40222	
	Cartridge assembly *28 C.C.W. (P3)	VS24-25546	VS24-25974	VS24-25974	VS24-40223	
	Cartridge assembly *31 C.W. (P3)	VS24-45771	VS24-51341	VS24-51341	VS24-45775	
	Cartridge assembly *31 C.C.W. (P3)	VS24-45772	VS24-51342	VS24-51342	VS24-45776	
13a	Port plate - rear C.W.	V034-59777				1
	Port plate - rear C.C.W.	V034-59776				
	Port plate - rear Bi-dir		V034-59118	V034-59118		
13b	Pin vane holdout	V034-59098	V034-59098	V034-59098	V034-24982	10
13c	Vane	V034-59099	V034-59099	V034-59099	V034-66716	10
13d	Cam ring - 003	V034-59050	V034-59050	V034-59050	V034-59050	1
	Cam ring - 005	V034-59051	V034-59051	V034-59051	V034-59051	
	Cam ring - 006	V034-59052	V034-59052	V034-59052	V034-59052	
	Cam ring - 008	V034-59053	V034-59053	V034-59053	V034-59053	

Item pos.	Description	Part No.			Qty
		VT6EDC (Standard)	VT6EDC (Bi-dir plates) (Only for P2 & P3)	VT6EDCM VT6EDCS	
	Cam ring - 010	V034-59054	V034-59054	V034-59054	
	Cam ring - 012	V034-66595	V034-66595	V034-66595	
	Cam ring - 014	V034-59206	V034-59206	V034-59206	
	Cam ring - 017	V034-59207	V034-59207	V034-59207	
	Cam ring - 020	V034-66607	V034-66607	V034-66607	
	Cam ring - 022	V034-59208	V034-59208	V034-59208	
	Cam ring - 025	V034-59209	V034-59209	V034-59209	
	Cam ring - 028	V034-59245	V034-59245	V034-59245	
	Cam ring - 031	V034-66843	V034-66843	V034-66843	
13e	Dowel pin	V324-21208	V324-21208	V324-21208	2
13f	Back-up ring	V618-15016	V618-15016	V618-15016	1
13g	Port plate - pressure C.W.	V034-59773			1
	Port plate - pressure C.C.W.	V034-59772			
	Port plate - pressure	V034-66453	V034-66453	V034-66453	
13h	Sq. section seal	V691-10229	V691-10229	V691-10229	1
13j	Sq. section seal	V691-10238	V691-10238	V691-10238	1
13k	Rotor-insert assy	VS24-10116	VS24-10116	VS24-30049	1
13m	Screw	V317-06266	V317-06266	V317-06266	2
13n	Dowel pin	V323-82010	V323-82010	V323-82010	1
13p	Bush	V034-59412	V034-59412	V034-59412	1
13q	Sq. section seal	V671-10156	V671-10156	V671-10156	1
9	Seal kit (S1 - 0,7 bar)	VS24-44823	VS24-44823	VS24-44823	1
11f, 11h, 11j, 11q	Seal kit (S4 - 7 bar)	VS24-44823-4	VS24-44823-4	VS24-44823-4	
12f, 12h, 12j, 12i	Seal kit (S5 - 7 bar)	VS24-44823-5	VS24-44823-5	VS24-44823-5	
13f, 13h, 13j, 13q					
11a	Port plate - rear assy C.W. (P1)	VS24-10214		VS24-10214	1
	Port plate - rear assy C.C.W. (P1)	VS24-10215		VS24-10215	
12a	Port plate - rear and bush assy C.W. (P2)	VS24-10833			1
12q	Port plate - rear and bush assy C.C.W. (P2)	VS24-10834			
	Port plate - rear and bush assy Bi-dir (P2)		VS24-10216	VS24-10216	
13a	Port plate - rear and bush assy C.W. (P3)	VS24-10807			1
13p	Port plate - rear and bush assy C.C.W. (P3)	VS24-10808			
	Port plate - rear and bush assy Bi-dir (P3)		VS24-10349	VS24-10349	

\* 0 - Standard B - Bi-directional plates/Mobile R - Mobile - spring assisted (on request)

## PORTING COMBINATION



P - Pressure S - Suction

# MODEL CODE

Series

- \* M = Mobile ( metric flange )
- \* S = Mobile ( SAE flange )

( \* omit for Industrial metric flanges )

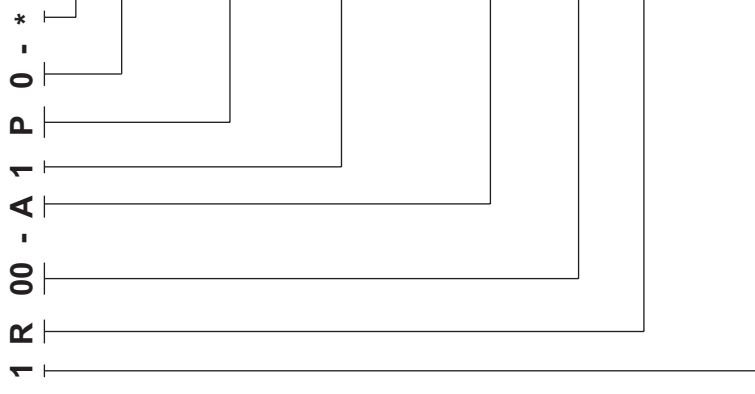
Cam ring	—	Displacement	—	Cam ring	—	Displacement	
		in <sup>3</sup> /rev				cm <sup>3</sup> /rev	
<b>042/R42</b>	=	8.07	( 132.30 )	<b>062/R62</b>	=	12.00	( 196.70 )
<b>045/R45</b>	=	8.70	( 142.40 )	<b>066/R66</b>	=	13.00	( 213.30 )
<b>050/R50</b>	=	9.67	( 158.50 )	<b>072/R72</b>	=	13.86	( 227.10 )
<b>052/R52</b>	=	10.00	( 164.80 )	<b>085/R85</b>	=	16.40	( 269.80 )

Cam ring	—	Displacement	—	Cam ring	—	Displacement	
		in <sup>3</sup> /rev				cm <sup>3</sup> /rev	
<b>014/B14/R14</b>	=	2.90	( 47.60 )	<b>035/B35/R35</b>	=	6.80	( 111.00 )
<b>020/B20/R20</b>	=	4.00	( 66.00 )	<b>038/B38/R38</b>	=	7.30	( 120.30 )
<b>024/B24/R24</b>	=	4.85	( 79.50 )	<b>042/B42/R42</b>	=	8.30	( 136.00 )
<b>028/B28/R28</b>	=	5.00	( 89.70 )	<b>045/B45/R45</b>	=	8.90	( 145.70 )
<b>031/B31/R31</b>	=	6.00	( 98.30 )	<b>050/B50/R50</b>	=	9.64	( 158.00 )

Cam ring	—	Displacement	—	Cam ring	—	Displacement	
		in <sup>3</sup> /rev				cm <sup>3</sup> /rev	
<b>003/B03/R03</b>	=	0.66	( 10.80 )	<b>017/B17/R17</b>	=	3.56	( 58.30 )
<b>005/B05/R05</b>	=	1.05	( 17.20 )	<b>020/B20/R20</b>	=	3.89	( 63.80 )
<b>006/B06/R06</b>	=	1.30	( 21.30 )	<b>022/B22/R22</b>	=	4.29	( 70.30 )
<b>008/B08/R08</b>	=	1.61	( 26.40 )	<b>025/B25/R25</b>	=	4.84	( 79.30 )
<b>010/B10/R10</b>	=	2.08	( 34.10 )	<b>028/B28/R28</b>	=	5.42	( 88.80 )
<b>014/B14/R14</b>	=	2.81	( 46.00 )	<b>031/B31/R31</b>	=	6.10	( 100.00 )

Select 'B \*\*\*' for Mobile and Bi-directional

Select 'R \*\*\*' for Mobile-spring assisted



Modification

Port connection variables

0 = P3 = 1" SAE size

1 = P3 = 3/4 " SAE size

Mounting

P = Pedestal mounting

F = Face mounting

Seal class

1 = S1 - BUNAN

4 = S4 - EPDM

5 = S5 - VITON

Design letter

C = Industrial D = Mobile

Porting combination : (00 = Standard)

Direction of rotation

R = Clockwise

L = Counter - clockwise

Type of Shaft

VT6EDC

1 = Keyed

( G45N-ISO3019-2 )

VT6EDCM

1 = Keyed

( G45N-ISO3019-2 )

3 = Splined ( SAE D&E )

VT6EDCS

3 = Splined ( SAE D&E )

Veljan Hydrair Private Limited, Balanagar, Hyderabad - 500 037, INDIA . Phone : +91-40-3772794,95 Fax : +91-40-3773963, www.veljan.com

©All Rights Reserved  
Product details are liable to change without prior notice

Print	VIHPL/9/12/1k
Replace	---
Revision	---
Printed in India	---